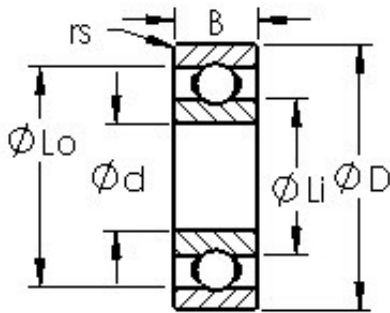




# NTN-CPC Australia Pty Ltd



## AST 6305 deep groove ball bearings

Bearing No. 6305

Size	25x62x17 mm
Bore Diameter	25 mm
Outer Diameter	62 mm
Width	17 mm
Bearing Type	Open
Bore Dia (d)	25.0000
Outer Dia (D)	62.0000
Width (B)	17.0000
Radius (min) (rs)	1.100
Dynamic Load Rating (Cr)	20,600
Static Load Rating (Cor)	11,300
Max Speed (Grease) (X1000 RPM)	11
Max Speed (Oil) (X1000 RPM)	13
Max. Shaft Shoulder Dia. Inner (Li)	38.1
Min. Housing Shoulder Dia., Outer (Lo)	51.0
Ball Qty	8
Ball Dia (Dw)	10.3190
Weight (g)	232.00
Precision	A1
Standard Clearance	C0
Material	52100 Chrome Steel or equivalent

6305 Bearing 2D drawings and 3D CAD models