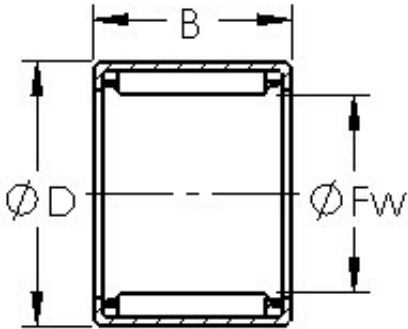




NTN-CPC Australia Pty Ltd



AST SCE2416 needle roller bearings

Bearing No. SCE2416

Bore Diameter	38,1 mm
Outer Diameter	47,625 mm
Width	25,4 mm
Bearing Type	Cage Retained Rollers
Outer Dia (D)	1.8750
Width (B)	1.0000
Dynamic Load Rating (Cr)	8,700
Static Load Rating (Cor)	14,900
Max Speed (Grease) (X1000 RPM)	7,400
Shaft (Fw)	1.500
Weight (g)	83.00
Material - Drawn cup: Hardened carbon steel alloy, Rollers	52100 Chrome steel or equivalent

SCE2416 Bearing 2D drawings and 3D CAD models