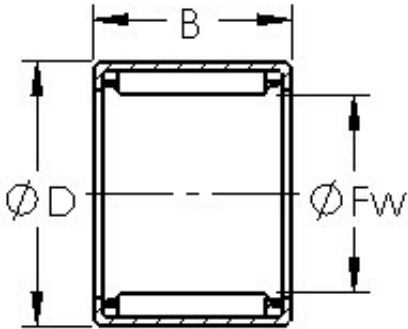




NTN-CPC Australia Pty Ltd



AST HK3038 needle roller bearings

Bearing No. HK3038

Size	30x37x38 mm
Bore Diameter	30 mm
Outer Diameter	37 mm
Width	38 mm
Bearing Type	Cage Retained Rollers
Outer Dia (D)	37.0000
Width (B)	38.0000
Dynamic Load Rating (Cr)	37,500
Static Load Rating (Cor)	79,000
Max Speed (Grease) (X1000 RPM)	8,500
Shaft (Fw)	30.000
Weight (g)	76.00
Material - Drawn cup: Hardened carbon steel alloy, Rollers	52100 Chrome steel or equivalent

HK3038 Bearing 2D drawings and 3D CAD models