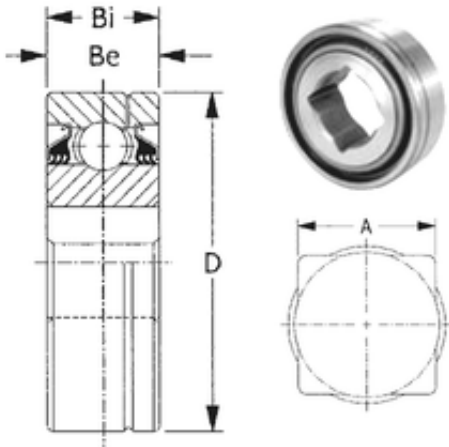




# NTN-CPC Australia Pty Ltd

28,575 mm x 90 mm x 30,175 mm CYSD  
GW210PP4 deep groove ball bearings



Bearing No. GW210PP4

Size	28.575x90x30.175 mm
Bore Diameter	28,575 mm
Outer Diameter	90 mm
Width	30,175 mm
d	28,575 mm
D	90 mm
B	30,175 mm
C	30,175 mm
Be	30,175 mm
Bi	30,175 mm

GW210PP4 Bearing 2D drawings and 3D CAD models