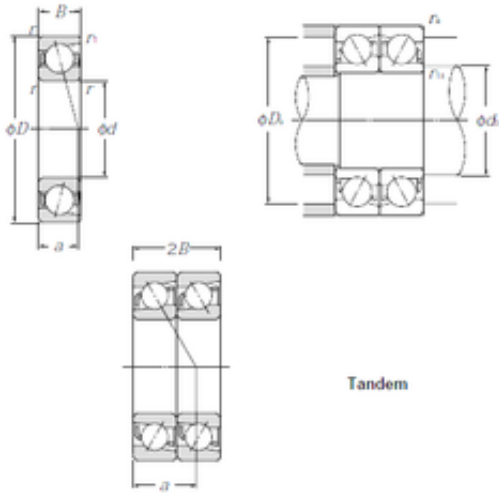




# NTN-CPC Australia Pty Ltd

100 mm x 180 mm x 34 mm CYSD 7220CDT  
angular contact ball bearings

Bearing No. 7220CDT



7220CDT Bearing 2D drawings and 3D CAD models

Size	100x180x34 mm
Bore Diameter	100 mm
Outer Diameter	180 mm
Width	34 mm
d	100 mm
D	180 mm
B	34 mm
C	34 mm
Angle ( )	15 °
r min.	2,1 mm
2B	68 mm
Weight	6,16 Kg
Basic dynamic load rating (C)	242 kN
Basic static load rating (C0)	254 kN
(Grease) Lubrication Speed	4600 r/min